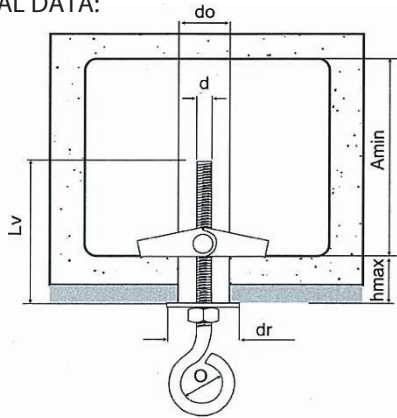


Fortress Pro-Pak Spring Toggle are a spring action fixing system which is used for fastening to hollow based materials offering superior tension performance and easy installation

TECHNICAL DATA:



do = hole diameter

d = screw diameter

hmax = maximum wall thickness

Amin = min empty space for correct anchor opening

Lv = screw length

dr = washer diameter

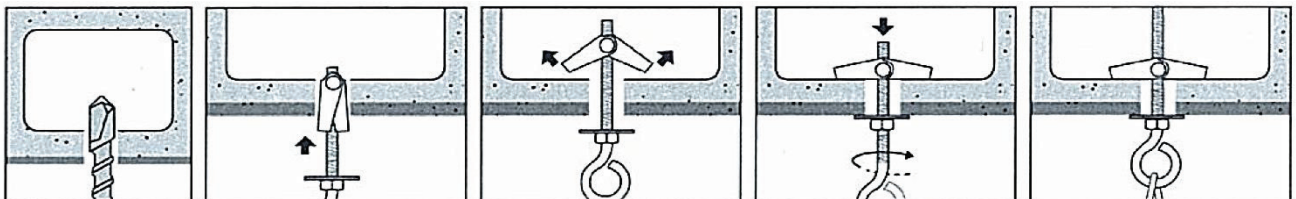
o = accessory dimensions

Product Size d x Lv	do (mm)	hmax (mm)	Amin (mm)	dr (mm)	Accessory	o (mm)
M4 x 75	11	45	25	20	Round Head Machine Screw	-
M5 x 50	14	15	30	24	Round Head Machine Screw	-
M5 x 80	14	45	30	24	Round Head Machine Screw	-
M4 x 70	11	40	25	20	Cup Hook Screw	14
M5 x 70	14	35	30	24	Cup Hook Screw	14

BASE MATERIAL – PRO-PAK Spring Toggle can be applied to the following base materials

- Clay Brick
- Hollow Light Aggregate Block
- Dense Aggregate Block
- Plasterboard

INSTALLATION GUIDE – Drill the correct hole size into the base material. Insert fixing and wind until secure



RECOMMENDED LOADS

		M4	Screw	M5	M4	Hook	M5
Brick/Block	kN	0.25		0.30	0.10		0.20
Plasterboard (min thickness 13mm)	kN	0.15		0.15	0.10		0.15
Drill Hole dia - Base Material	mm	12		14	12		14
Edge Distance	mm	65		85	65		85
Anchor Spacing	mm	100		135	100		135
Max Torque	Nm	2		4	2		4