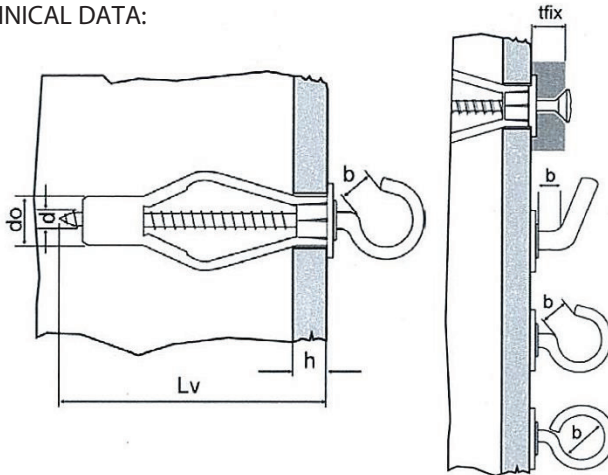


Fortress Pro-Pak cavity fixings are a slim line anchoring system which is used for fastening to hollow based materials offering great tension performance and easy installation

TECHNICAL DATA:



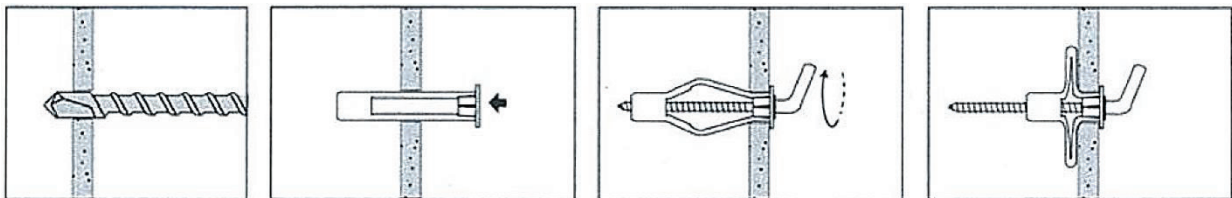
- do = hole diameter
- d = screw diameter
- h = wall thickness
- L = anchor length
- Lv = screw length
- b = accessory dimensions
- tfix = maximum fixing thickness

Product Size do	h		d (mm)	Lv (mm)	Accessory	b (mm)	tfix (mm)
	min (mm)	max (mm)					
Ø8 x 40	6	16	4	55	Plug with countersunk screw	-	10
Ø8 x 40	6	16	4	45	Plug with countersunk screw	4	-

BASE MATERIAL - Nylon Plug Cavity Fixing System can be applied to the following base materials

- Clay Brick
- Hollow Light Aggregate Block
- Dense Aggregate Block
- Plasterboard

INSTALLATION GUIDE – Drill an 8mm into the base material. Insert fixing and wind until secure



RECOMMENDED LOADS

		Screw		Hook
Brick/Block	Tensile	kN	0.07	-
	Shear	kN	0.15	0.05
Plasterboard	Tensile	kN	0.06	-
	Shear	kN	0.01	0.05
Edge Distance		mm	60	
Plug Spacing		mm	60	
Max Torque		Nm	0.8	