

# Fortress



# Blue Prints for Purlin & Batten fixing

## ALTERNATIVE SOLUTION TO NZS 3604:2011

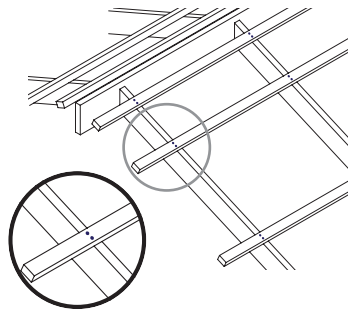
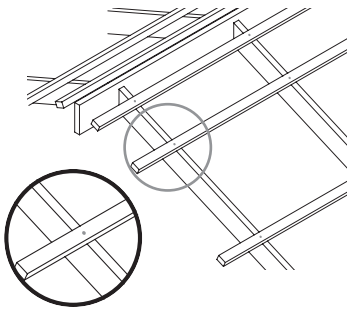
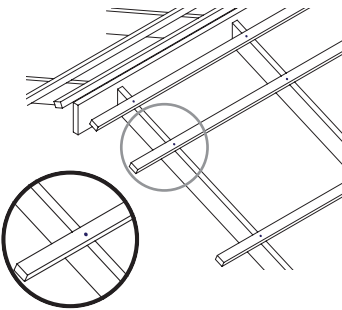
This is a GUIDE ONLY, reference Table 10.10, section 10 of NZS 3604:2011

Maximum spacing and fixing in the following wind zones

PURLIN SIZE	MAX. SPAN (mm)	LOW		MEDIUM		HIGH		VERY HIGH		EXTRA HIGH	
		Spacing (mm)	Fixing (type)	Spacing (mm)	Fixing (type)	Spacing (mm)	Fixing (type)	Spacing (mm)	Fixing (type)	Spacing (mm)	Fixing (type)
70 x 45	900	900	S	900	T	900	T	900	U	900	T2
70 x 45	900	1200	T	1200	T	1200	U	1050	T2	900	T2
70 x 45	900	1800	T	1800	T2	1400	T2	1050	T2	900	T2
70 x 45	1200	1200	T	1150	T	800	T	600	U	500	U
70 x 45	1200	1300	T	1150	T	800	T	600	U	500	U
90 x 45	1200	1700	T	1450	T2	1000	T2	750	T2	650	T2

FIXING TYPE	DESCRIPTION	ALTERNATIVE FIXING CAPACITY (kN)
S	2 / 90 x 3.15 gun nails	0.8
T	1 / 10g x 80mm Fortress Type 17 Blue Ruspert screw	3.7
U	1 / 14g x 100mm Fortress Bugle head Type 17 purlin/batten screw	5.5
T2	2 / 10g x 80mm Fortress Type 17 Blue Ruspert screws	7.07

NOTE: All fixing types are determined as required for the higher uplift loads at the periphery of the roof (based on local pressure factors in AS/NZS1170.2).



1 x FORTRESS BLUE RUSPERT T17 PURLIN SCREW 10g X 80mm

1 x FORTRESS BUGLE HEAD T17 PURLIN/BATTEN SCREW 14g X 100mm

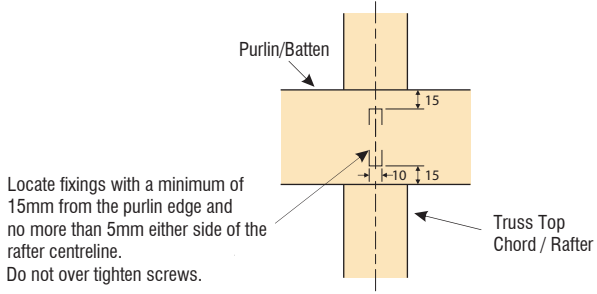
2 x FORTRESS BLUE RUSPERT T17 PURLIN SCREW 10g X 80mm

3.7kN

5.5kN

7.07kN

SCREW FIXING AREA



FORTRESS BLUE RUSPERT T17 PURLIN SCREW 10g X 80mm



DRIVE: No2. SQUARE  
MATERIAL: BLUE RUSPERT

FORTRESS BUGLE HEAD T17 PURLIN/BATTEN SCREW 14g X 100mm



DRIVE: 5mm HEX  
MATERIAL: CLASS 4

Externally tested by SGS New Zealand Ltd.



Alternative solution to NZS 3604:2011

visit [www.fortress.kiwi](http://www.fortress.kiwi)