



10g x 80mm Blue Purlin Screws

FORTRESS®
FASTENERS

IDEAL FOR FIXING PURLINS & BATTENS TO RAFTERS AND TRUSSES



The 110g x 80mm Blue purlin screw is the ideal fastener for fixing purlins to rafters or trusses, and complies with NZS 3604:2011 requirements (SG8 10.2.1.16.1).

The Fortress Blue Ruspert screws meet and exceed national kN pull up standards.

Features & Benefits

Highly durable Blue Ruspert finish.

T17 point to easily self drill into timber.

Head self counter-sinks for a flush finish and superior holding power.

#2 Square Drive.

AVAILABLE IN:



Buc QTY: 100

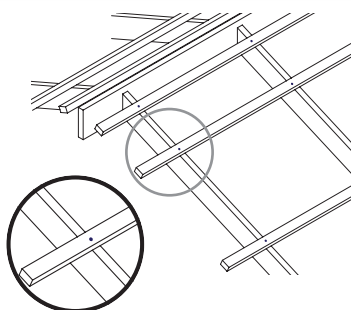


Buc QTY: 500

Blue Ruspert -

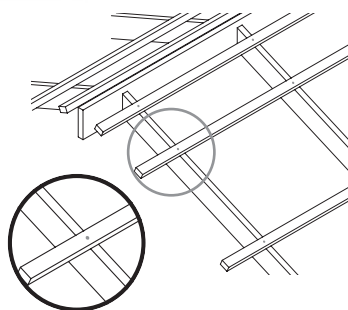
Suitable for Semi Exposed use

Description	Product Code	QTY
8 x 80mm (Buc 100)	PUR1080BP100	100
8 x 80mm (Buc 500)	PUR1080BP500	500



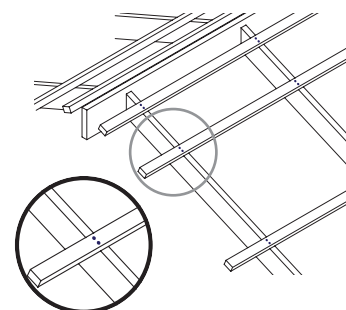
1 x FORTRESS BLUE RUSPERT
T17 PURLIN SCREW 10g X 80mm

3.7kN



1 x FORTRESS BUGLE HEAD T17
PURLIN/BATTEN SCREW 14g X 100mm

5.5kN



2 x FORTRESS BLUE RUSPERT
T17 PURLIN SCREW 10g X 80mm

7.07kN

Refer to full Blue Screws technical flyer for full installation guidelines.